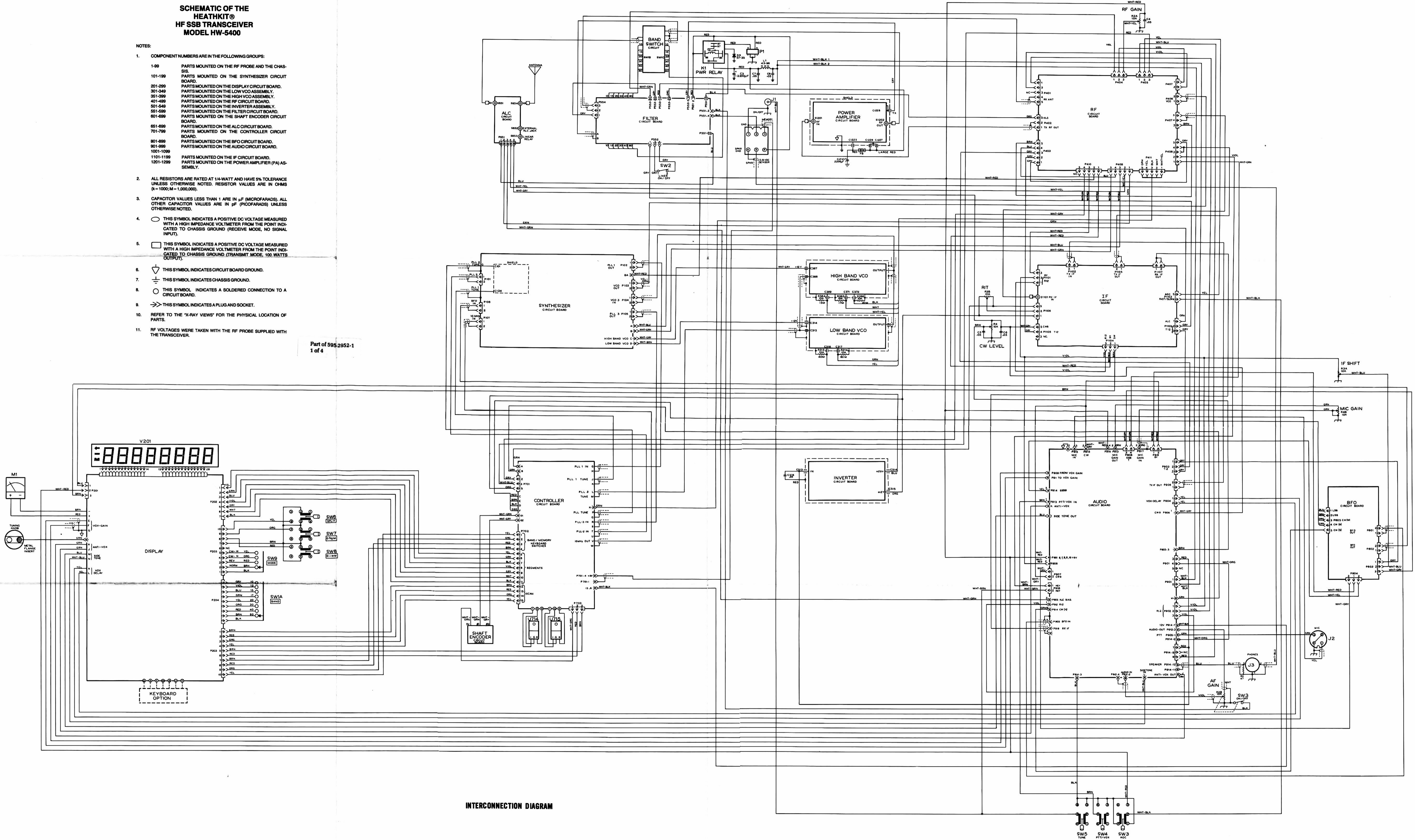


**SCHEMATIC OF THE
HEATHKIT®
HF SSB TRANSCEIVER
MODEL HW-5400**

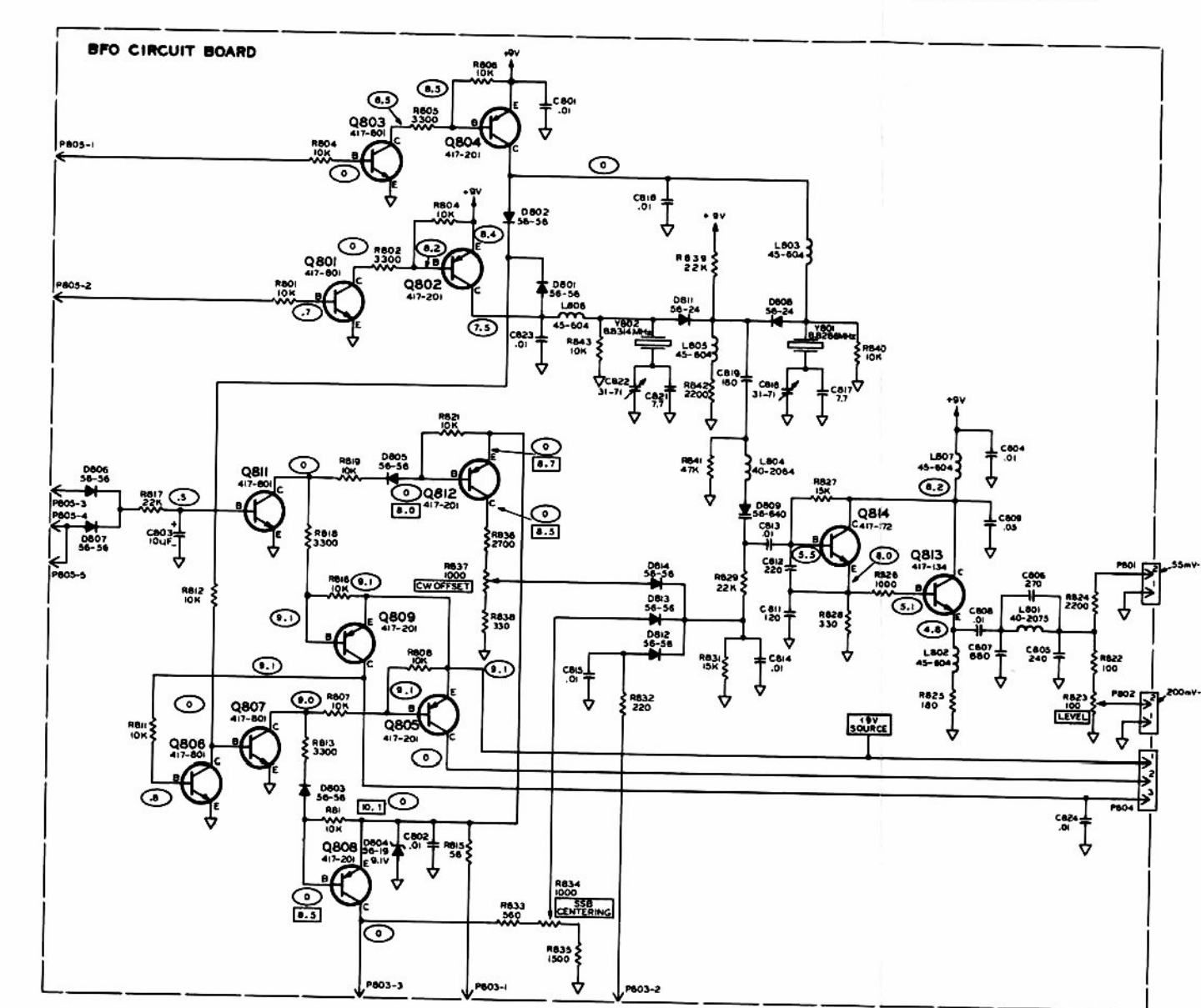
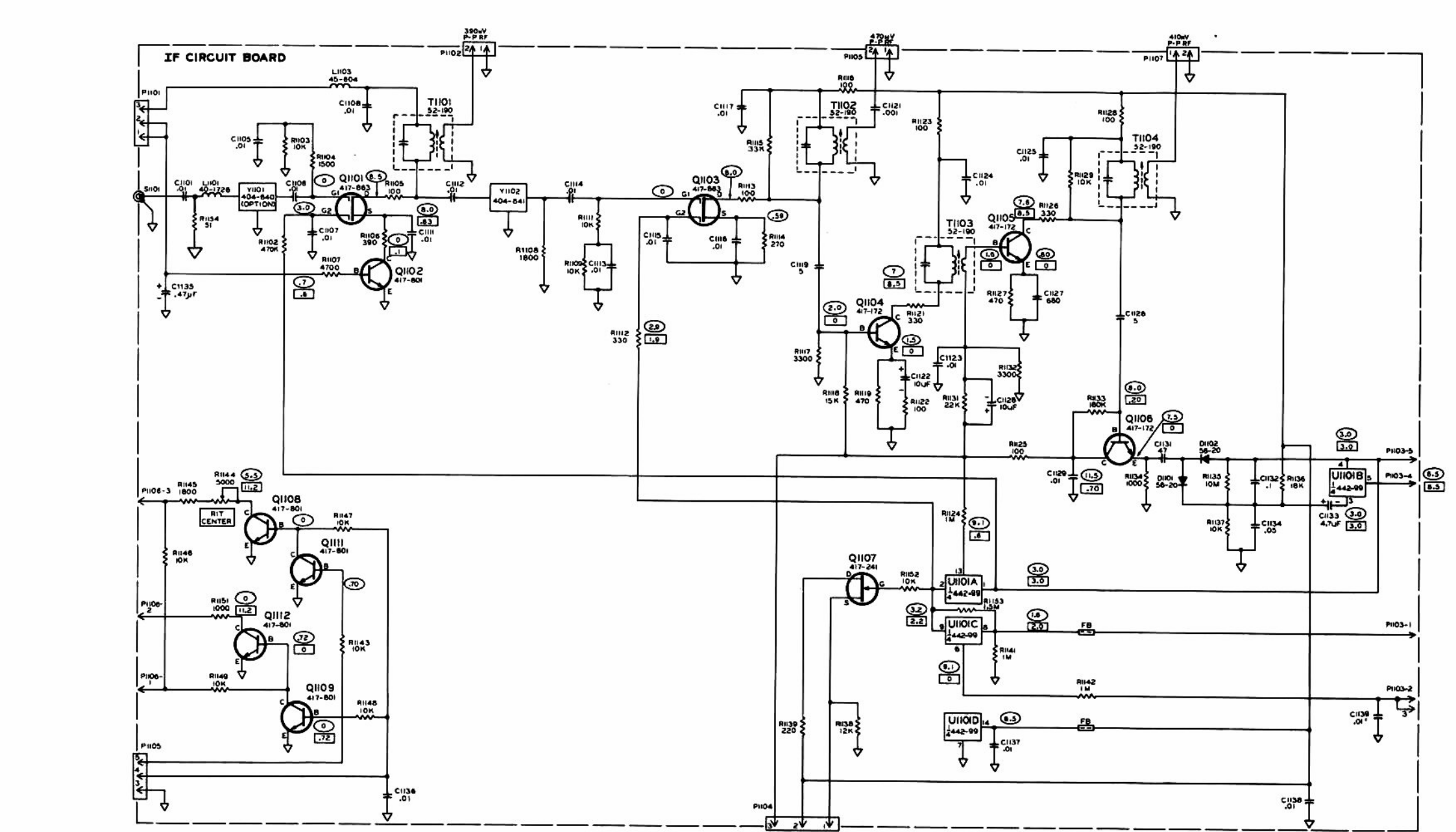
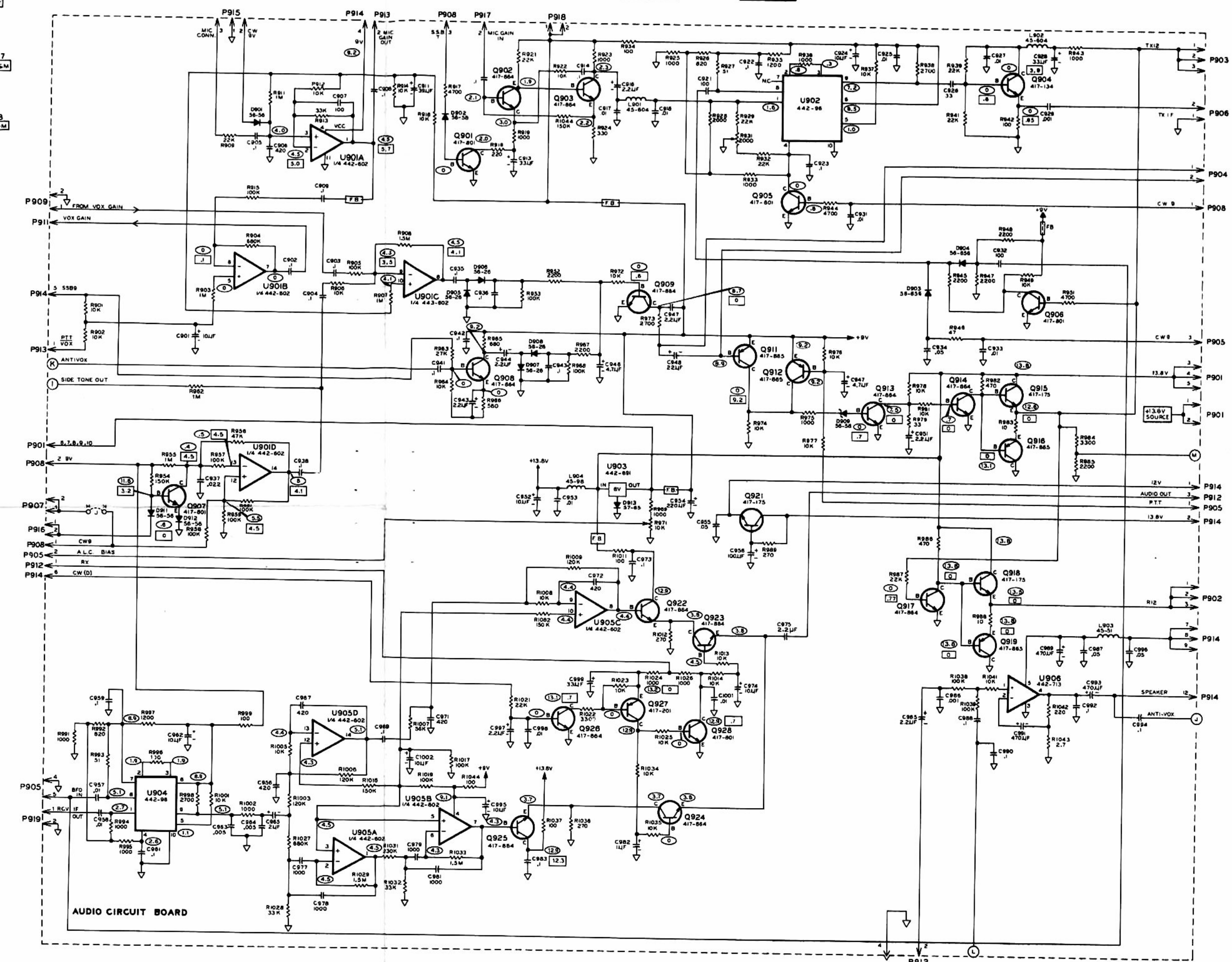
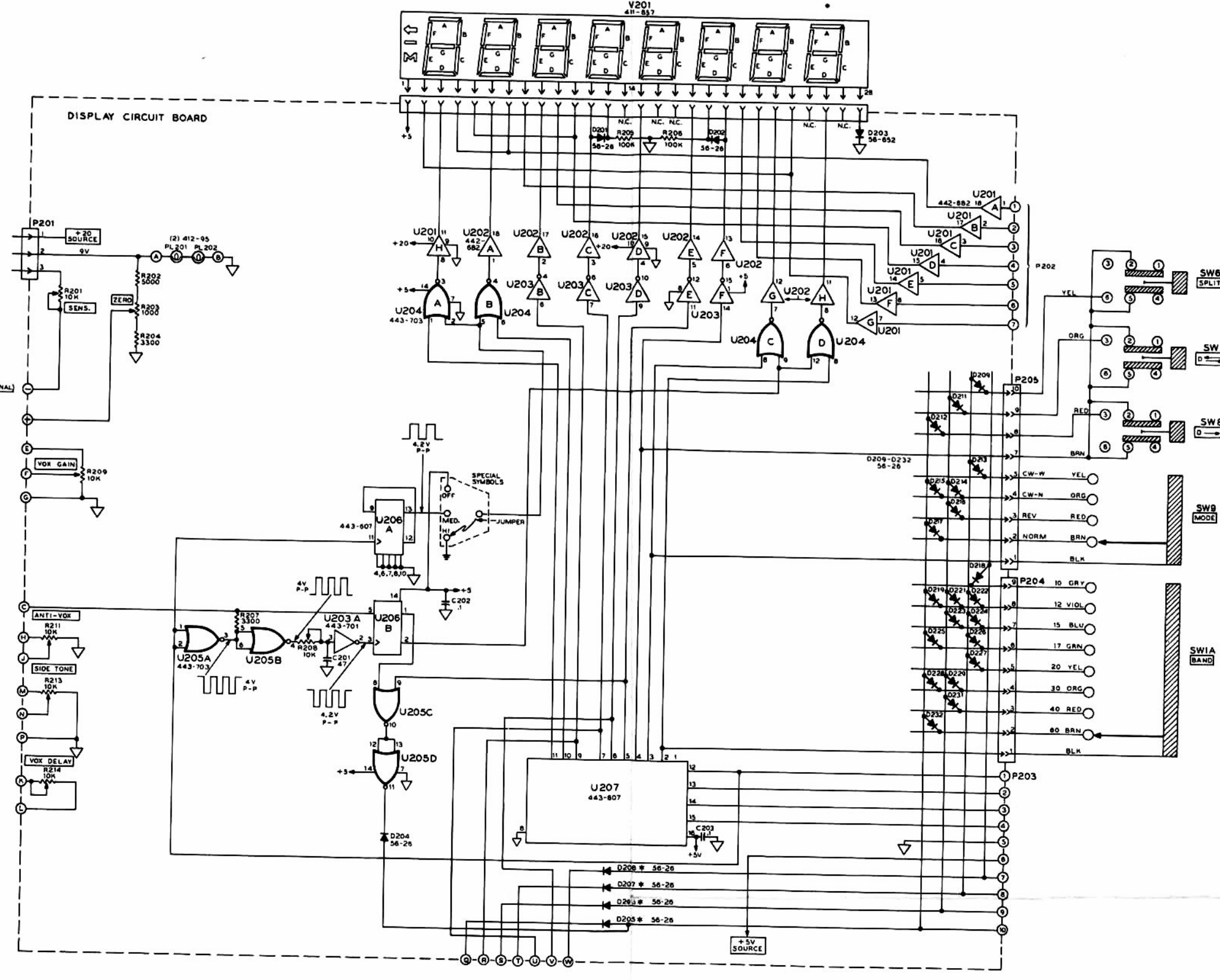
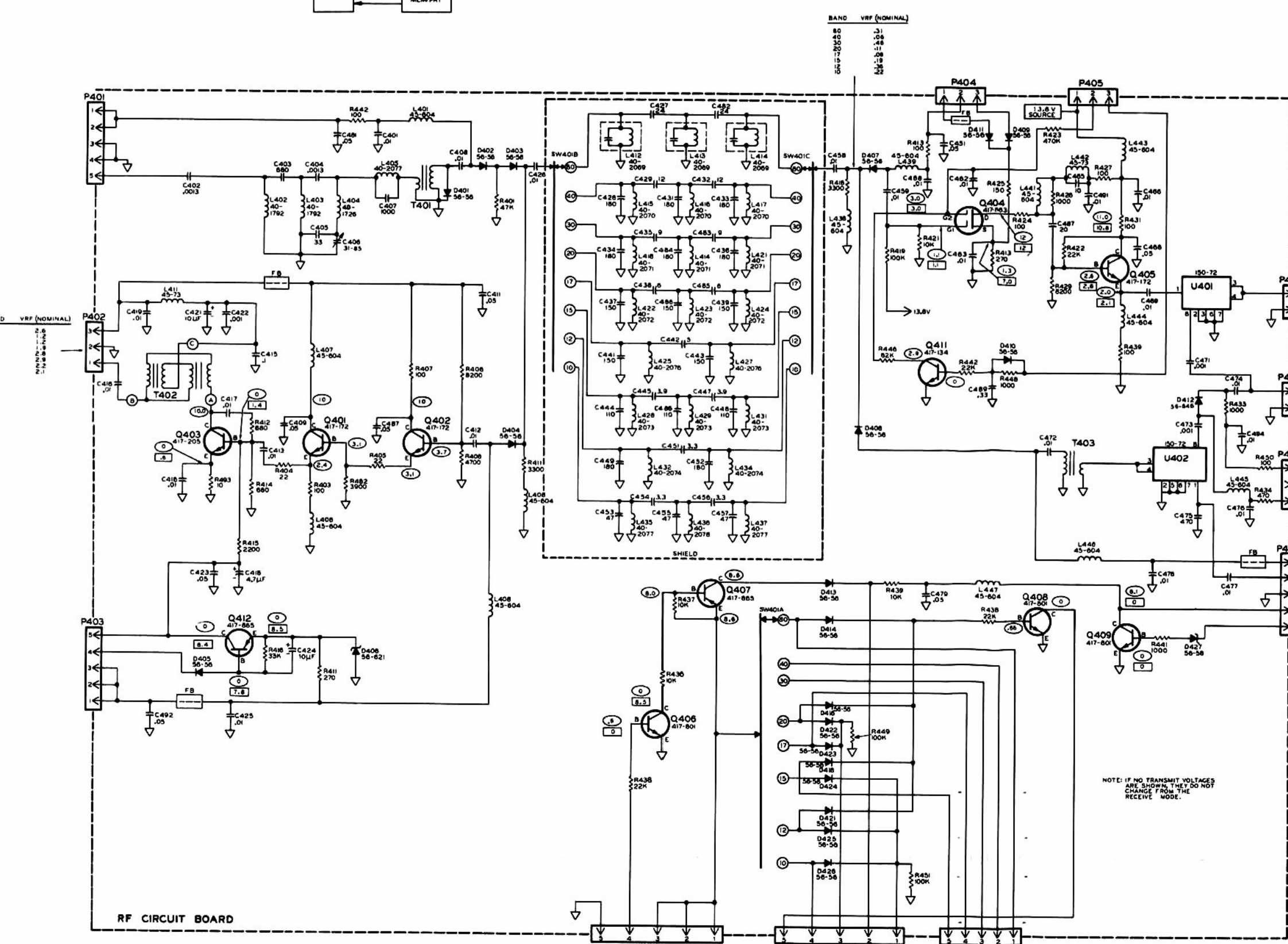
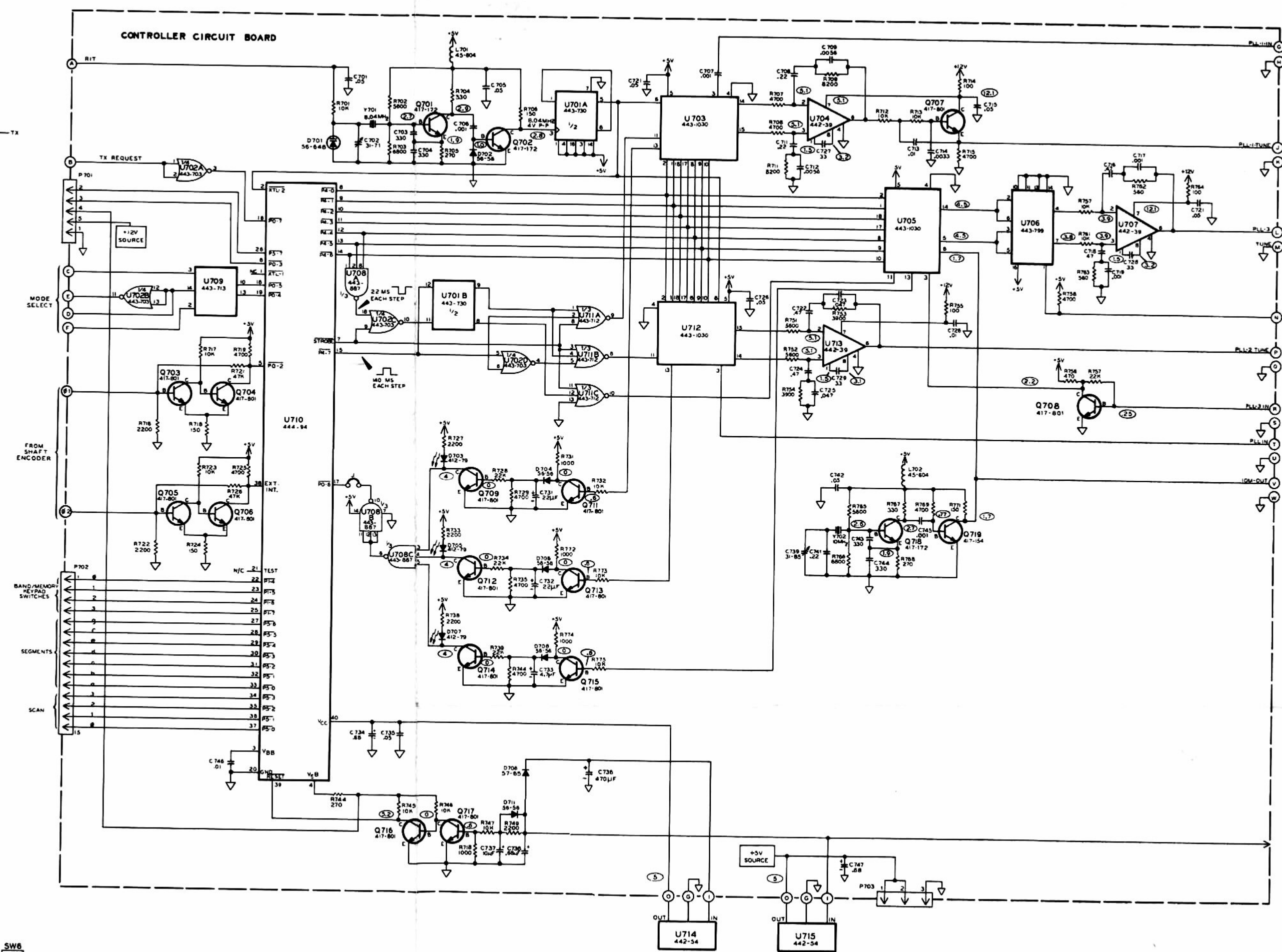
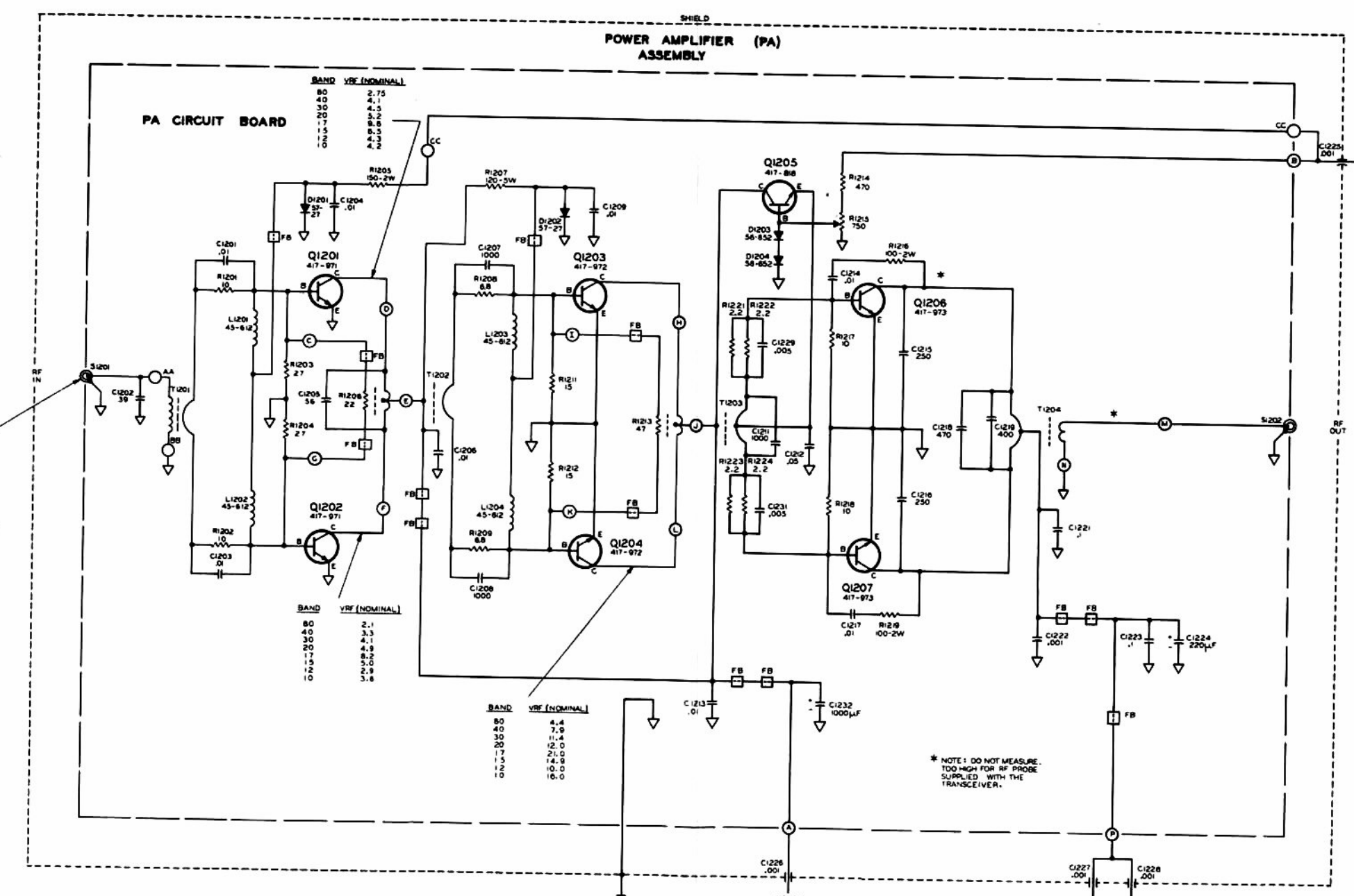
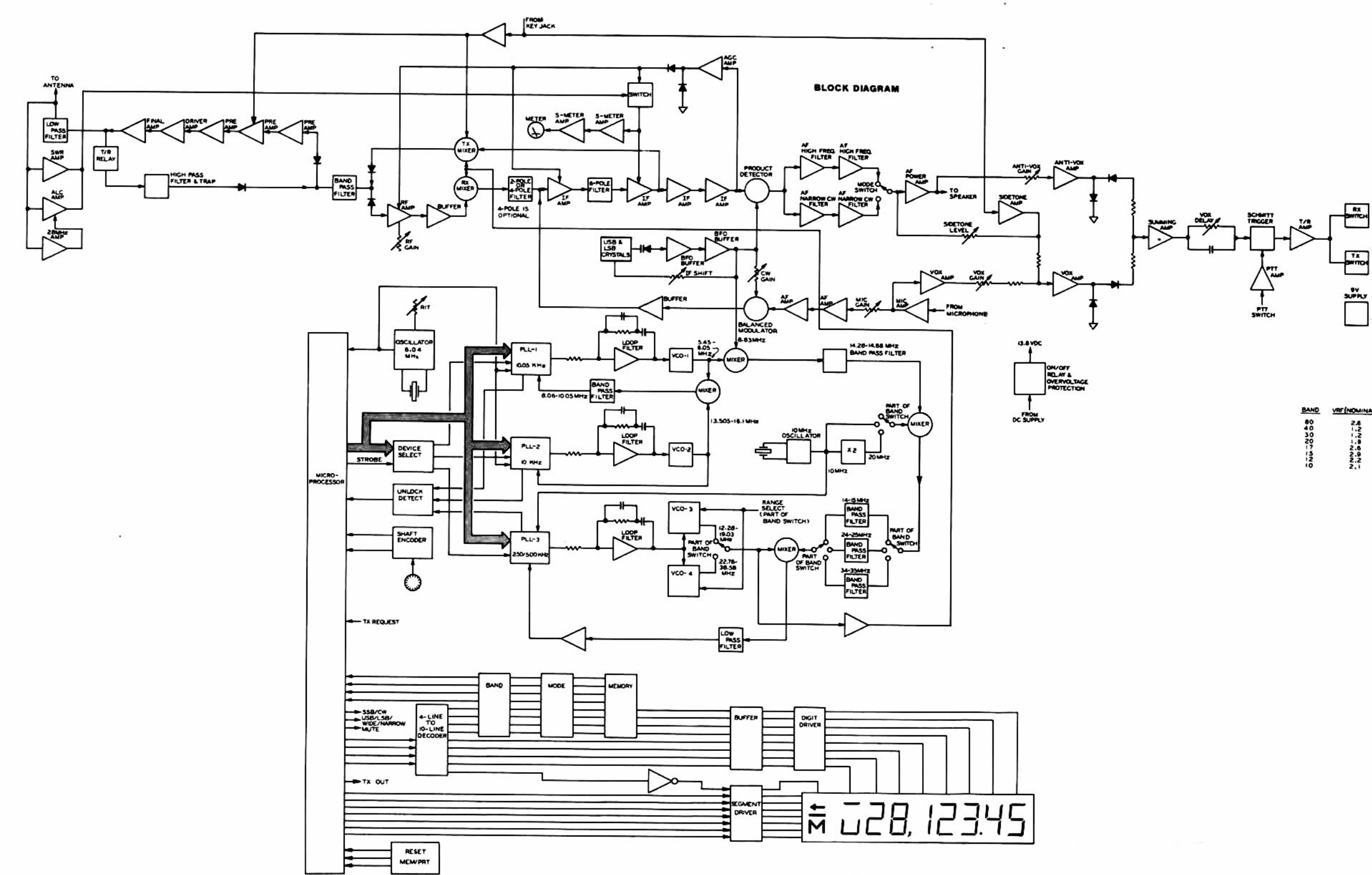
NOTES:

- COMPONENT NUMBERS ARE IN THE FOLLOWING GROUPS:
 1-99 PARTS MOUNTED ON THE RF PROBE AND THE CHASSIS.
 101-199 PARTS MOUNTED ON THE SYNTHESIZER CIRCUIT BOARD.
 201-299 PARTS MOUNTED ON THE DISPLAY CIRCUIT BOARD.
 301-349 PARTS MOUNTED ON THE LOW VCO ASSEMBLY.
 351-399 PARTS MOUNTED ON THE HIGH VCO ASSEMBLY.
 401-499 PARTS MOUNTED ON THE RF CIRCUIT BOARD.
 501-549 PARTS MOUNTED ON THE INVERTER ASSEMBLY.
 551-599 PARTS MOUNTED ON THE FILTER CIRCUIT BOARD.
 601-699 PARTS MOUNTED ON THE SHAFT ENCODER CIRCUIT BOARD.
 801-899 PARTS MOUNTED ON THE ALC CIRCUIT BOARD.
 901-999 PARTS MOUNTED ON THE CONTROLLER CIRCUIT BOARD.
 1001-1099 PARTS MOUNTED ON THE BFO CIRCUIT BOARD.
 1101-1199 PARTS MOUNTED ON THE IF CIRCUIT BOARD.
 1201-1299 PARTS MOUNTED ON THE POWER AMPLIFIER (PA) ASSEMBLY.
- ALL RESISTORS ARE RATED AT 1/4-WATT AND HAVE 5% TOLERANCE UNLESS OTHERWISE NOTED. RESISTOR VALUES ARE IN OHMS (R=1000; M=1,000,000).
- CAPACITOR VALUES LESS THAN 1 ARE IN μ F (MICROFARADS). ALL OTHER CAPACITOR VALUES ARE IN pF (PICOFARADS) UNLESS OTHERWISE NOTED.
- THIS SYMBOL INDICATES A POSITIVE DC VOLTAGE MEASURED WITH A HIGH IMPEDANCE VOLTMETER FROM THE POINT INDICATED TO CHASSIS GROUND (RECEIVE MODE, NO SIGNAL INPUT).
- THIS SYMBOL INDICATES A POSITIVE DC VOLTAGE MEASURED WITH A HIGH IMPEDANCE VOLTMETER FROM THE POINT INDICATED TO CHASSIS GROUND (TRANSMIT MODE, 100 WATTS OUTPUT).
- THIS SYMBOL INDICATES CIRCUIT BOARD GROUND.
- THIS SYMBOL INDICATES CHASSIS GROUND.
- THIS SYMBOL INDICATES A SOLDERED CONNECTION TO A CIRCUIT BOARD.
- THIS SYMBOL INDICATES A PLUG AND SOCKET.
- REFER TO THE "X-RAY VIEWS" FOR THE PHYSICAL LOCATION OF PARTS.
- RF VOLTAGES WERE TAKEN WITH THE RF PROBE SUPPLIED WITH THE TRANSCEIVER.

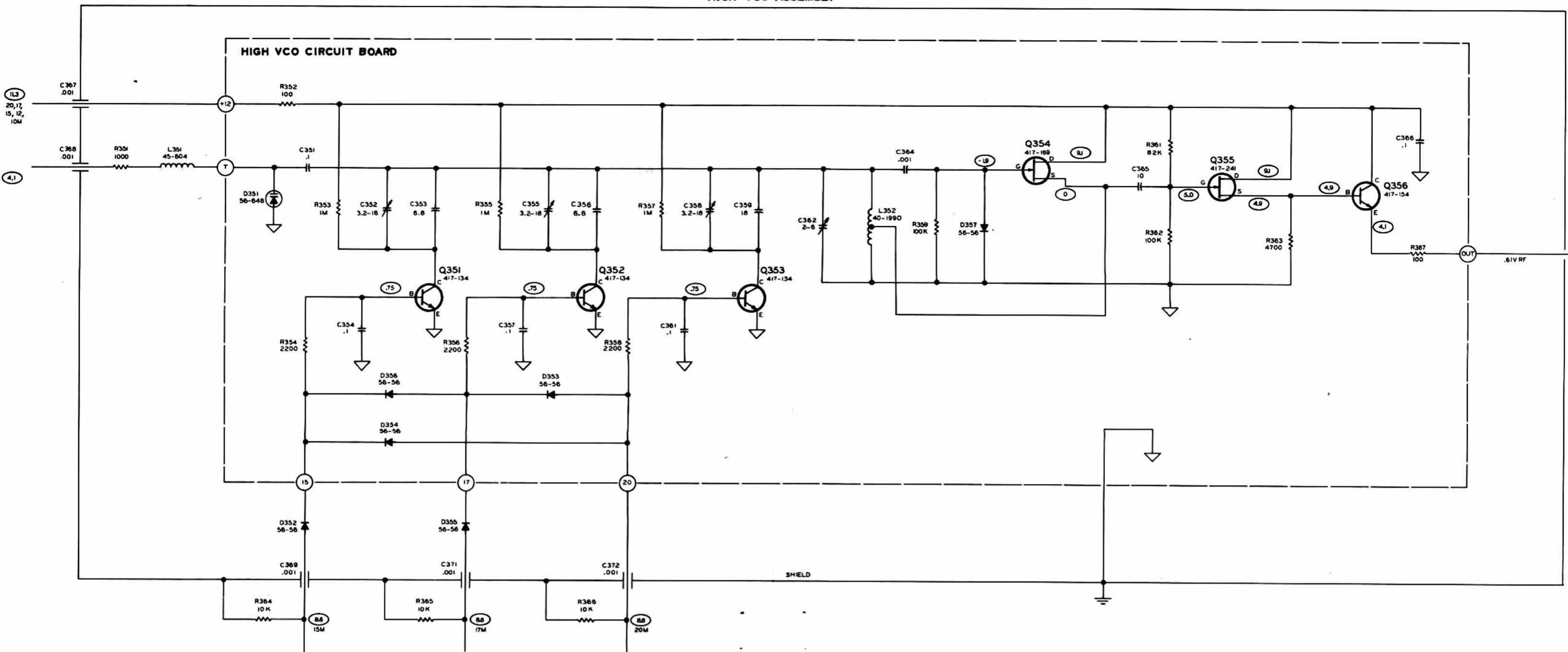
Part of 5952952-1
1 of 4



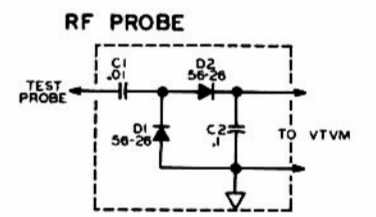
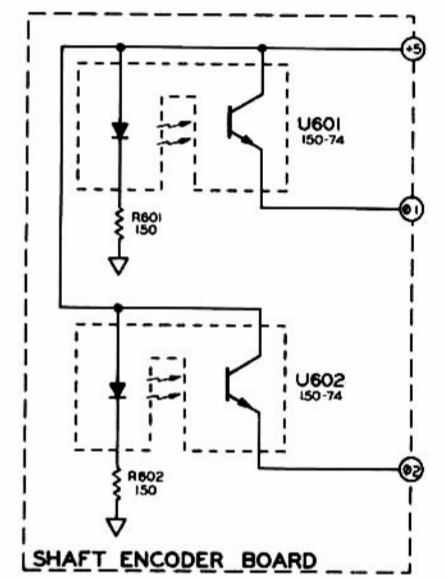
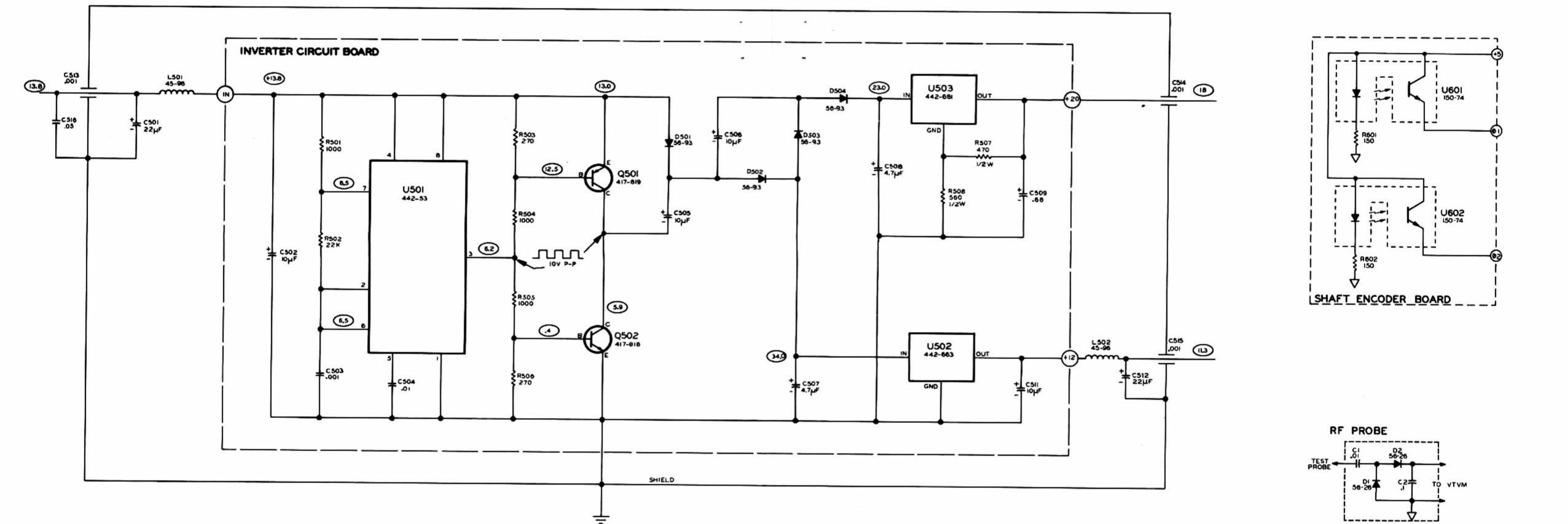
INTERCONNECTION DIAGRAM



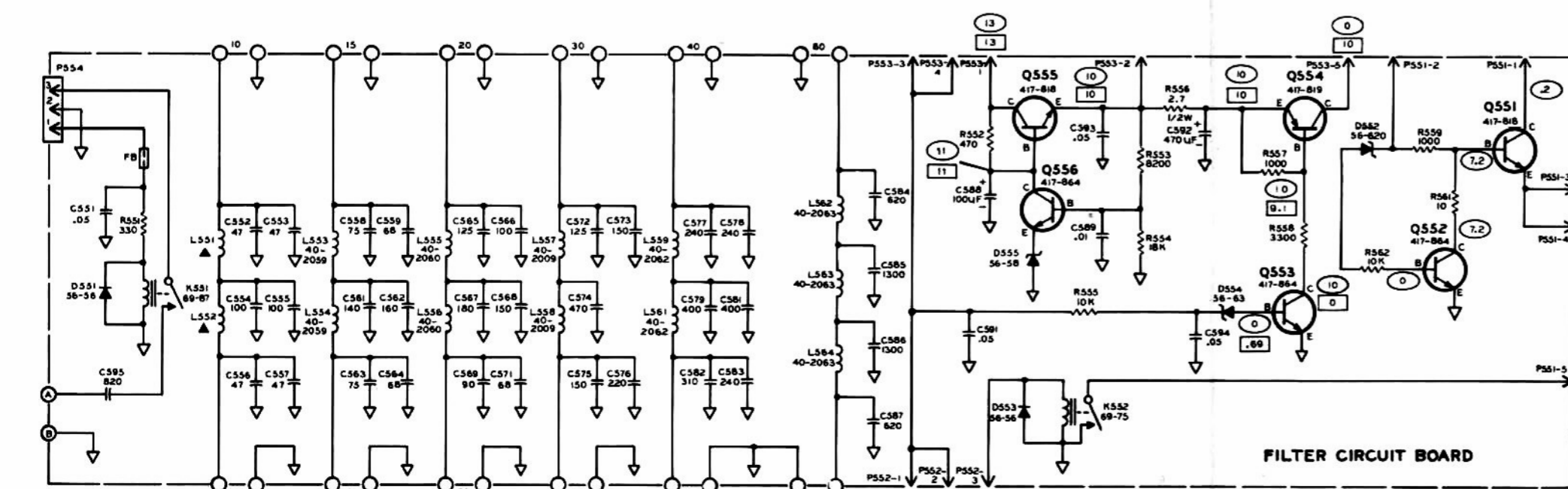
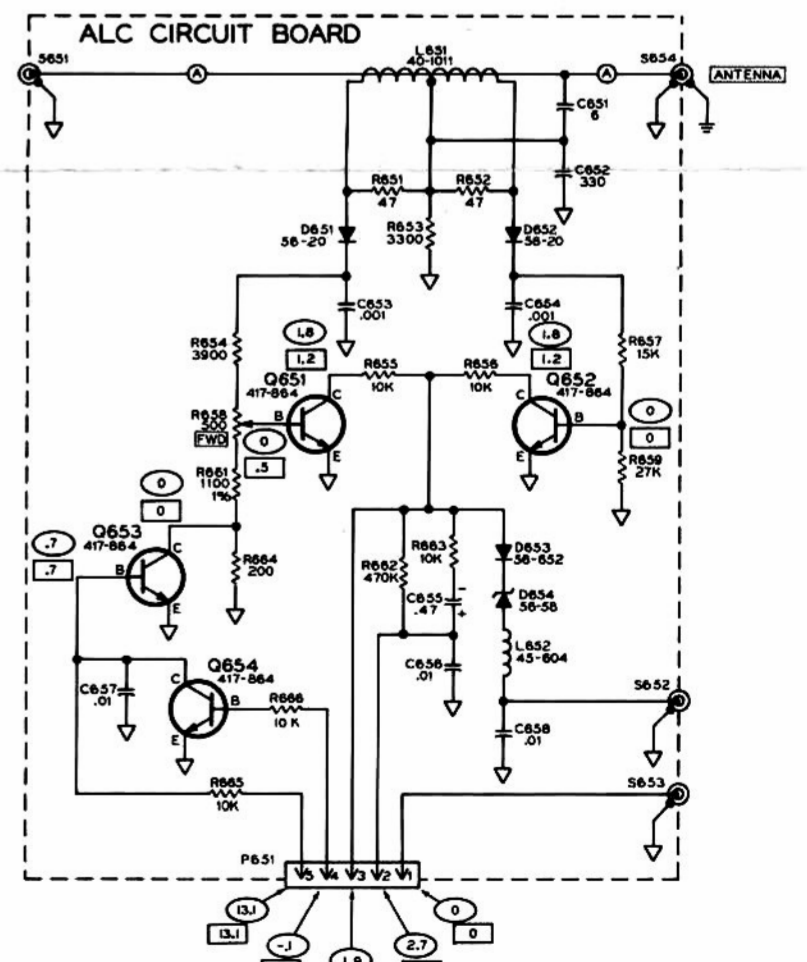
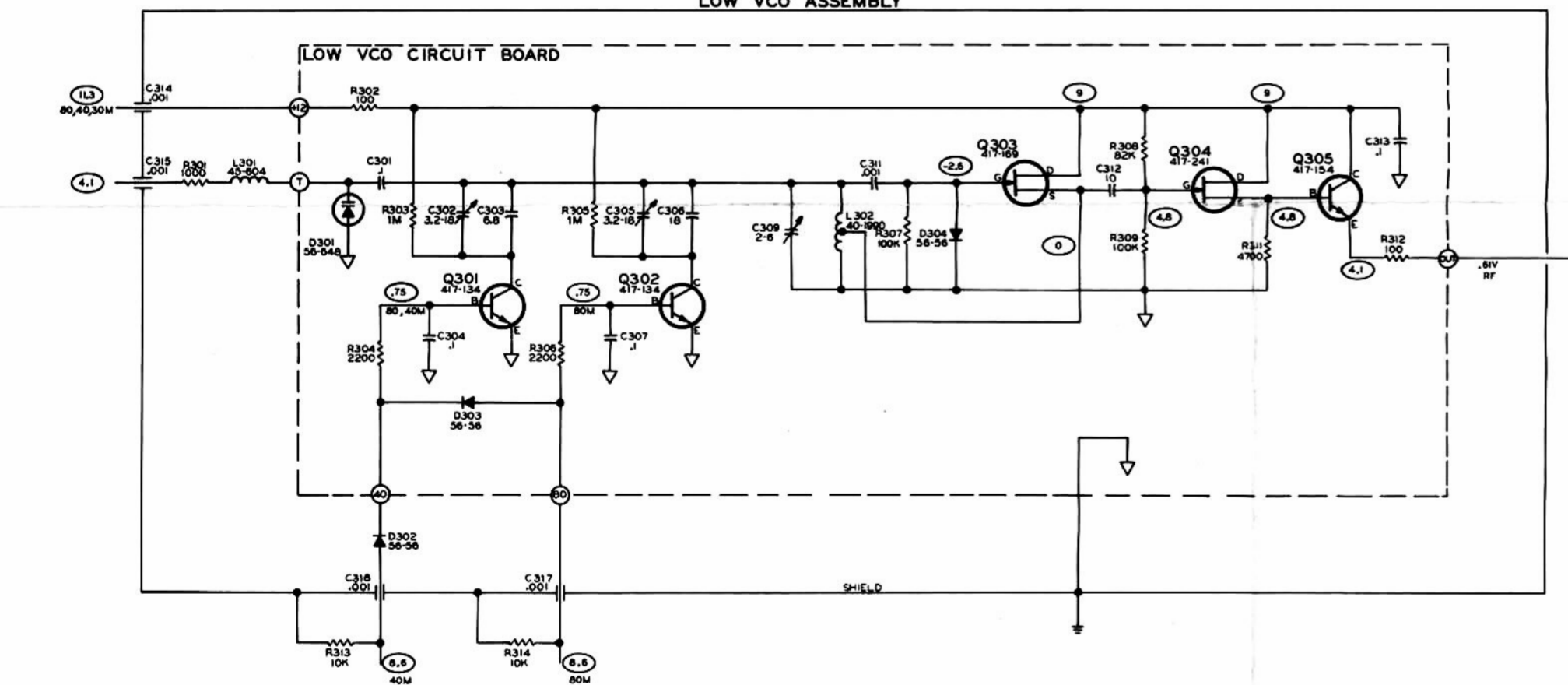
HIGH VCO ASSEMBLY



INVERTER ASSEMBLY

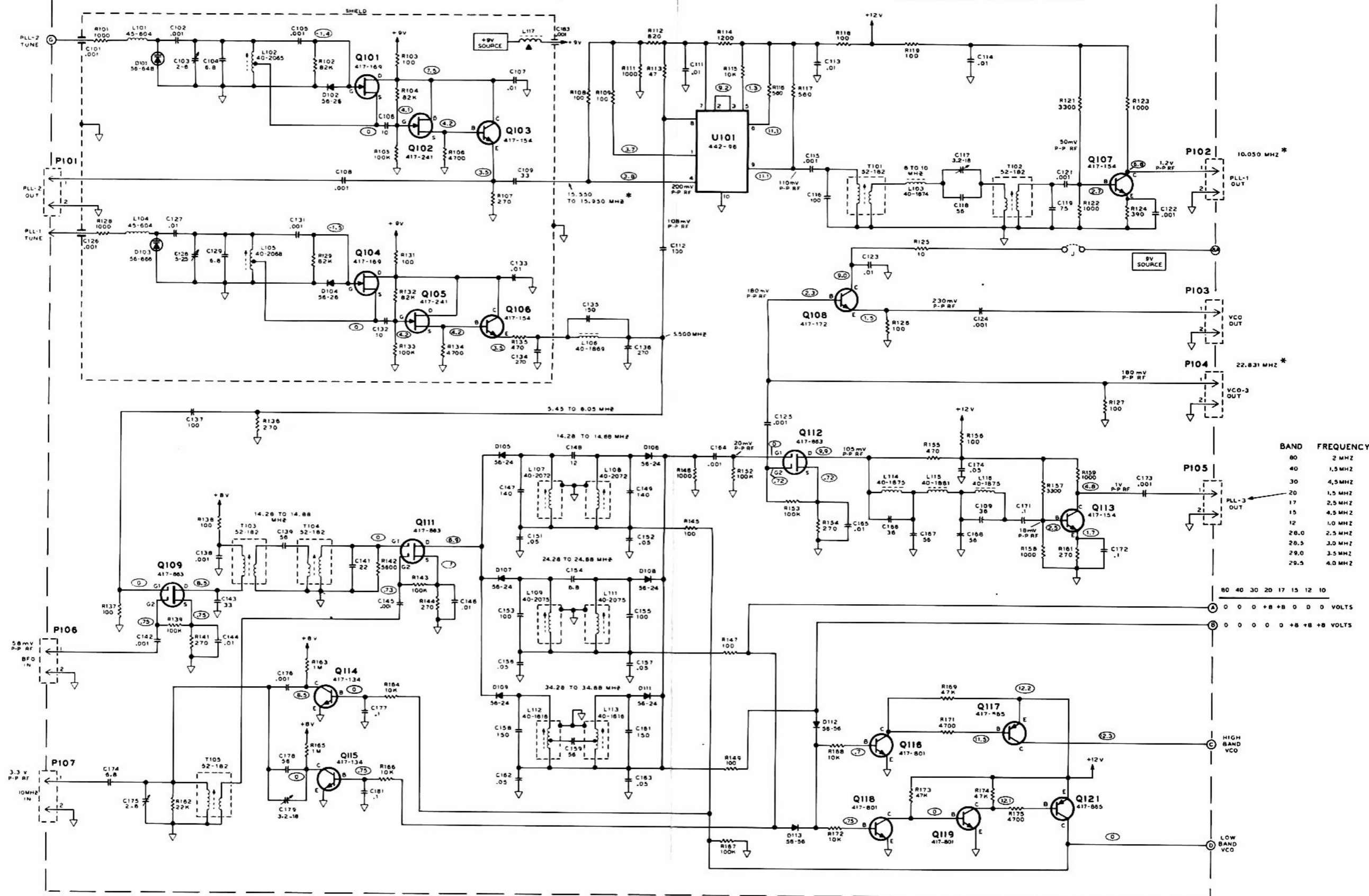


LOW VCO ASSEMBLY



SCHEMATIC OF THE HEATHKIT® HF SSB TRANSCEIVER MODEL HW-5400

SYNTHESIZER CIRCUIT BOARD



* NOTE: FREQUENCY MEASUREMENTS WERE TAKEN WITH THE BAND SWITCH SET TO 20 METERS.

**SCHEMATIC OF THE
HEATHKIT®
HF SSB TRANSCEIVER
MODEL HW-5400**